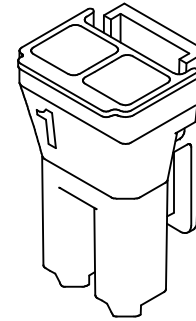
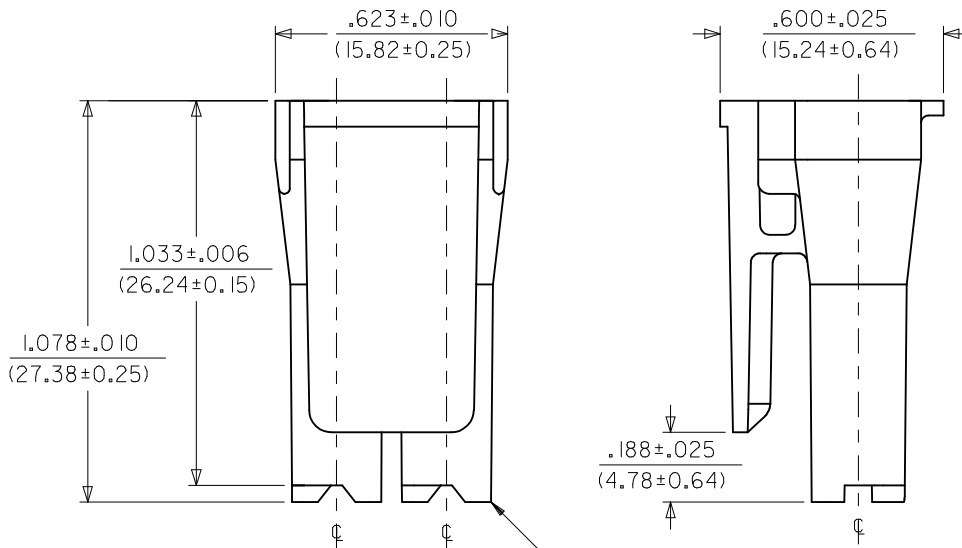


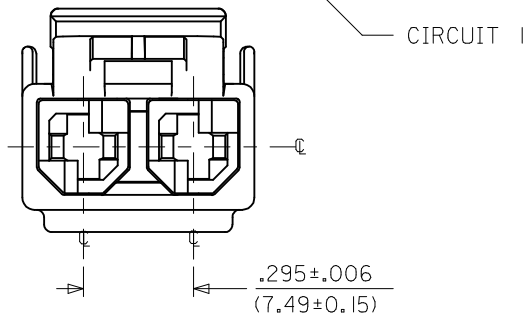
NOTES:

1. MATERIAL: SEE CHART.
2. THIS CONNECTOR HOUSING FOR USE WITH 43375-**** TERMINALS.
3. THIS CONNECTOR HOUSING WILL MATE TO A-43160-****2, 43180-****2, AND 43680-****2 HOUSINGS.
4. PRODUCT SPECIFICATION: PSX-44441-9999.
5. PACKAGING: PK-44441-001.
6. FOR V-0 AND GLOW-WIRE MATERIAL: PARTS CONFORM TO CLASS 'B' REQUIREMENTS OF COSMETIC SPECIFICATION PS-45499-002 BUT, MEETS CLASS 'C' REQUIREMENTS FOR BUBBLES, SINK AND DISCOLORATION.

| ITEM NUMBER | MATERIAL | COLOR |
|-------------|--|-----------------------|
| 44441-2002 | UL94V-0 NYLON | BLACK |
| 44441-1002 | UL94V-2 NYLON | NATURAL (TRANSLUCENT) |
| 44441-3002 | UL94V-2 NYLON, IEC 60335-1 GLOW WIRE CAPABLE | BLACK |



44441-*002
(NO SCALE)



| | | | | | | | | |
|--|-----------------|--|--------|--------------------------|---|---------------|---|------------------------|
| NOTE 6 EC NO: UCP2015-3600 DRAWN BY: 2015/03/04 CHKD: JDFOX APPR: FSMITH 2015/03/26 DESCRIPTION | QUALITY SYMBOLS | GENERAL TOLERANCES (UNLESS SPECIFIED) | | DIMENSION STYLE IN/MM | | SCALE 1:1 | DESIGN UNITS INCH | THIRD ANGLE PROJECTION |
| | $\nabla F=0$ | 4 PLACES | mm | INCH | DRAWN BY | DATE | TITLE | |
| | $\nabla E=0$ | 3 PLACES | ± --- | ± --- | MAB | 1995/09/18 | 2-CIR RECEPTACLE HOUSING .125/(3.18) X.020/(0.51) SABRE-TPA | |
| | $\nabla F=0$ | 2 PLACES | ± 0.25 | ± .014 | CHECKED BY | DATE | DOCUMENT NO. | |
| $\nabla E=0$ | 1 PLACE | ± 0.35 | ± --- | KBP | 1995/09/18 | SD-44441-*002 | | |
| | 0 PLACE | ± | ± | APPROVED BY | DATE | SHEET NO. | | |
| | | ANGULAR ±1/2° | | MATERIAL NO. | | 1 OF 1 | | |
| | | DRAFT WHERE APPLICABLE MUST REMAIN WITHIN DIMENSIONS | | SEE CHART | | | | |
| | | | | SIZE B | THIS DRAWING CONTAINS INFORMATION THAT IS PROPRIETARY TO MOLEX INCORPORATED AND SHOULD NOT BE USED WITHOUT WRITTEN PERMISSION | | | |