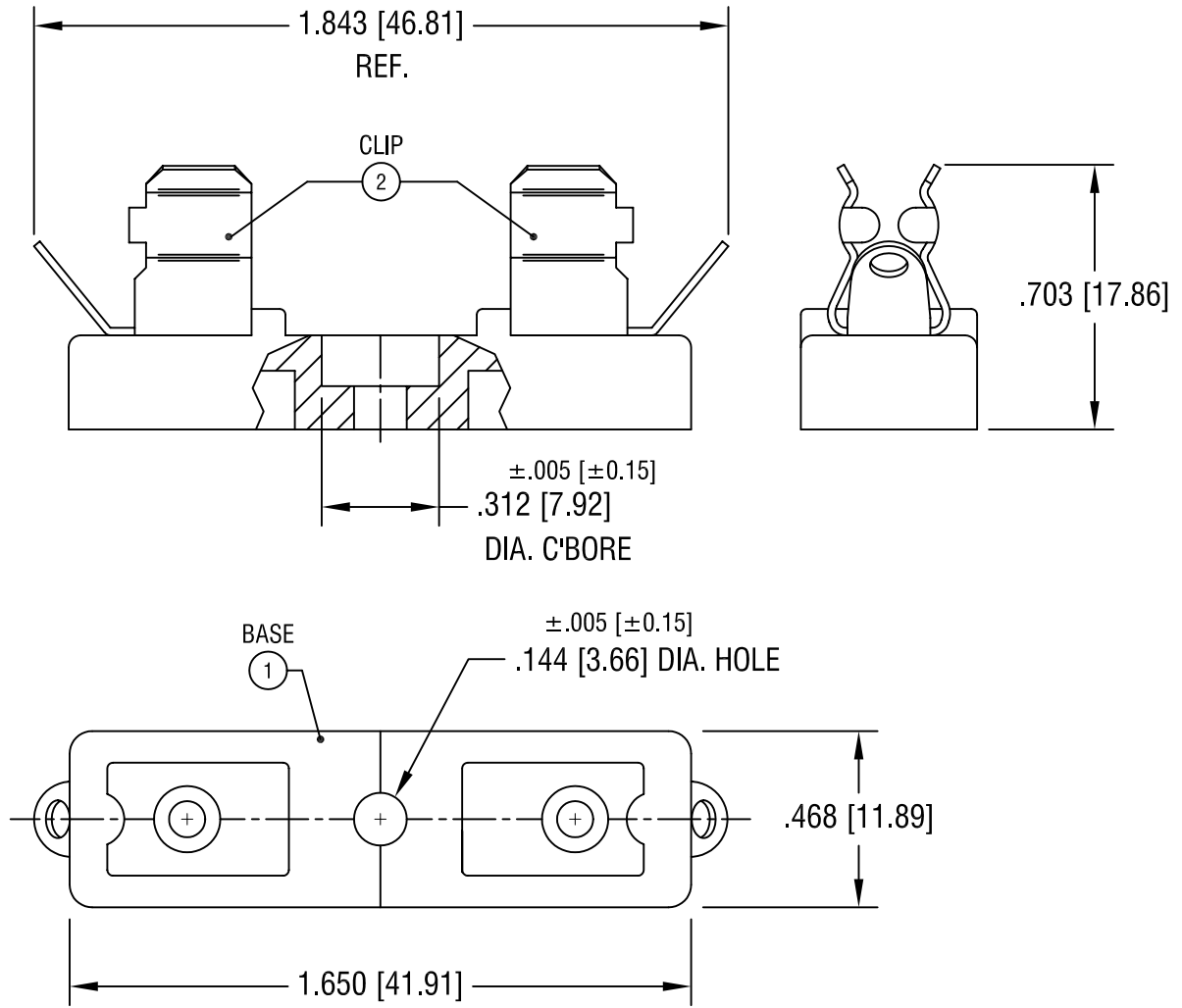


THIS DOCUMENT IS THE PROPERTY OF
KEYSTONE ELECTRONICS CORP. AND
SHALL NOT BE REPRODUCED, DISTRIBUTED
OR USED AS A BASIS FOR MANUFACTURE
WITHOUT PRIOR WRITTEN PERMISSION
FROM KEYSTONE ELECTRONICS CORP.



NOTES:

- ① BASE:
MAT'L: .250 [6.35] TH'K
MOLDED PLASTIC, FLAME RETARDANT,
UL 94V-0
- ② CLIP: P/N 3535

KEYSTONE ELECTRONICS CORP.			
ASTORIA, N.Y. 11105-2017			
PART NAME			
MOLDED 3AG FUSE HOLDER			
MATERIAL			
AS NOTED			
FINISH		DRN BY	DATE
AS NOTED		BOONE	8.30.82
		APPD	SCALE
		LN	2X
TOLERANCES	INCH [MM]	CODE	DWG NO.
DECIMAL	±.015 [±0.38]	C	3523
ANGULAR	± 1°		
UNLESS OTHERWISE SPECIFIED			

11.16.04	CHANGE AS PER ECN 04-141	D
DATE	DESCRIPTION	REV.